



聪明换盖、经典延伸 Changing Cap Available

Features:

- Clear actuation feeling.
- Many LED color options are available.
- Momentary and Alternate available.
- Positive tactile response.
- RGB color options are available.
- Long life cycles.

Applications:

- Audio/Video products.
- Communication equipment.
- Broadcast system, Instrumentation, telecommunications...etc.

绝佳顿感，滑顺均匀

Tactile or non-tactile feel, perfectly poise



镀金接点,稳定耐用



Gold plated pins,
more stable and durable

LED照光颜色多变，耐久鲜明



Various and durable LED colors



Studio equipment,
Audio/Video products,
Broadcast system,
Instrumentation,
Telecommunications ...etc.

音响、影像等录音室器材设备、广播系统、
电信仪器设备

General Specifications (产品规格)

Function: Momentary or Alternate
Contact Rating : Gold, 0.4A Max. @28V(AC OR DC)
Silver, 2A@125V AC, 1A@250V AC
Contact Resistance: 50mΩ silver, 100mΩ gold(initial max)
Insulation Resistance: 100MΩ @500V DC
Dielectric Strength: Breakdown is not allowable: 500V AC for 1 minute
Actuation Force: 200±100 gf SPDT 300±150 gf DPDT
Total Travel: 2.2±0.3 mm
Life Expectancy(Mechanical): 5,000,000 cycles
Life Expectancy(Electrical): 200,000 cycles
Operation Temperature: -20°C to 70°C

Material: (产品材质)



Cover: Polycarbonate(PC)
Actuator: Polyoxymethylene(POM)
Base frame: Polyamide(PA)+GF
Terminal: Brass with gold plating

LED Specifications:

Color	V		Recommended Operating Current	VF	
				Nom	Max
Red	DC 5V	20mA	20mA	1.7V	2.4V
Green	DC 5V	20mA	20mA	1.9V	2.4V
Yellow	DC 5V	20mA	20mA	1.9V	2.4V
Blue	DC 5V	20mA	20mA	3.0V	3.6V
White	DC 5V	20mA	20mA	3.0V	3.6V

For the specification about the other LED colors, Please contact with sales department.

HOW TO ORDER

SERIES	OPERATION	POLE	TERMINAL	LED COLOR	LED COLOR	FRAME TYPE	CAP COLOR	DIFFUSER COLOR	OTHER
PLB	N	1	P	N	R	A	T	W	P5
	N=NON-LOCK L=LOCK TYPE	1=1 POLE 2=2 POLE	P=P.C.B TYPE W=WIRE TYPE	R=RED G=GREEN B=BULUE Y=YELLOW O=ORANGE W=WHITE RGB [full color] N=NONE	R=RED G=GREEN B=BULUE Y=YELLOW O=ORANGE W=WHITE RGB [full color] N=NONE	A=15mm sq A1=15mm sq B=12mm sq B1=12mm sq B2=12mm sq C=17.4mm sq C1=17.4mm sq C2=17.4mm sq D=17.4X34.8 D1=17.4X34.8 D2=15X26 D3=18.4X28	T=TRANSPARENT R=RED G=GREEN B=BLUE Y=YELLOW O=ORANGE RT=RED TRANSPARENT N=NONE	R=RED G=GREEN B=BLUE Y=YELLOW O=ORANGE W=WHITE N=NONE	AI=SW+IC CAP SYMBOL

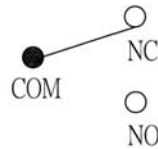
CAP Symbol: Please refer to cap selection for all available symbols on cap surface, and any customization is welcomed

E=21mm sq
F=12mm sq
F1=12mm sq
F2=12mm sq
G=37mm sq

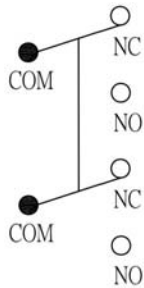
SCHEMATIC

SWITCH

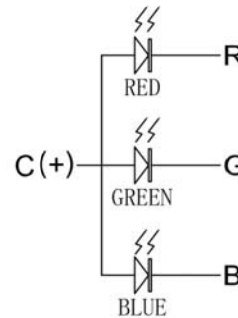
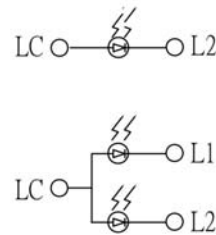
1P2T



2P2T

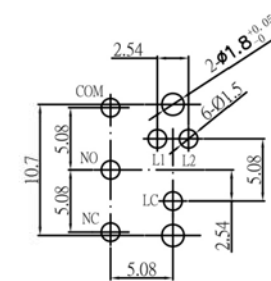


LED

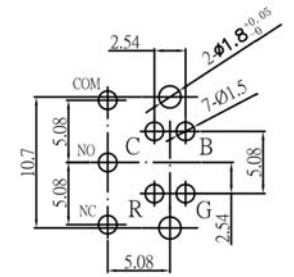


LED CIRCUIT

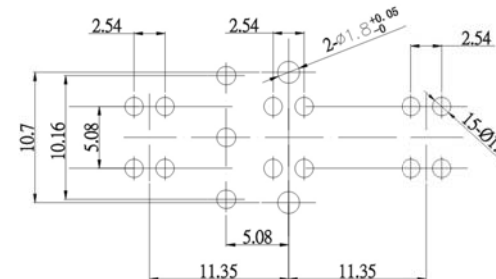
SINGLE&DOUBLE COLOR



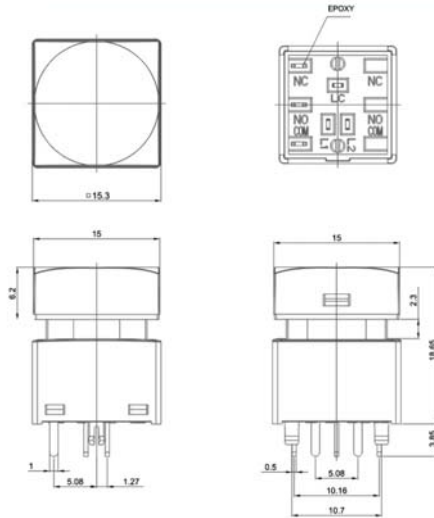
RGB1



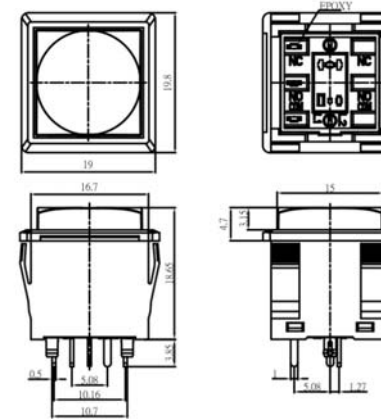
RGB2



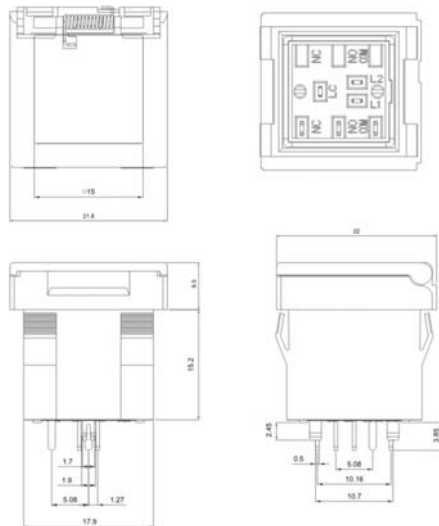
PLB-N1PNR-ATW :.



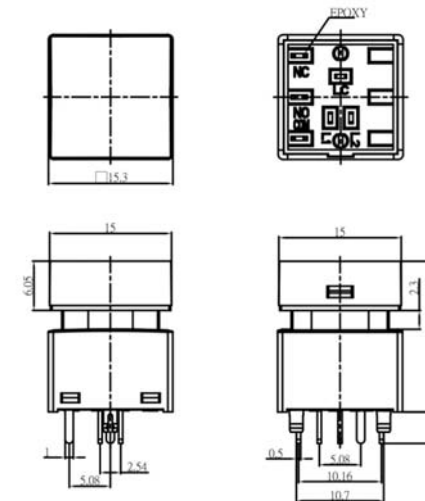
PLB-N1PNR-ATW-P1KN :.



PLB-N1PRGB-ATW-PKT :.



PLB-N1PRW-A1TW :.

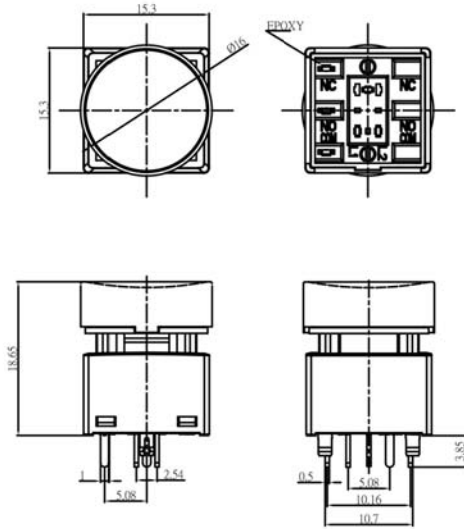


PLB

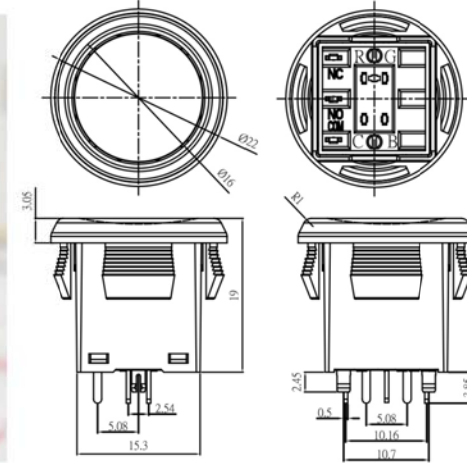
LED ILLUMINATED PUSH BUTTON SWITCH



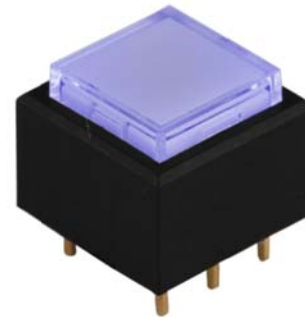
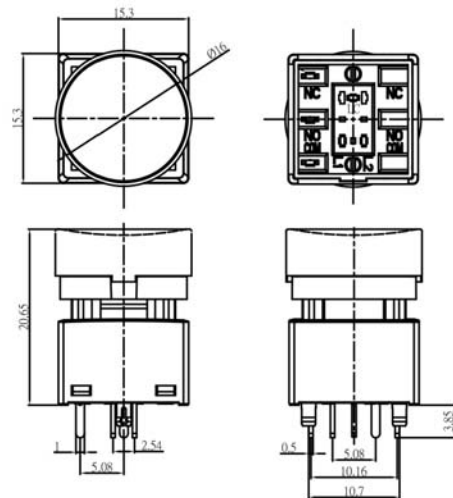
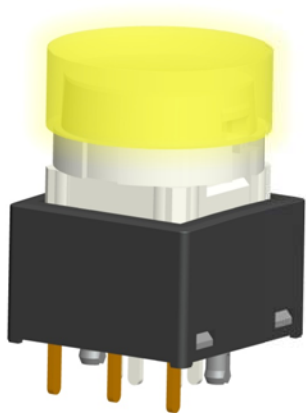
PLB-N1PRG-RA1TW :.



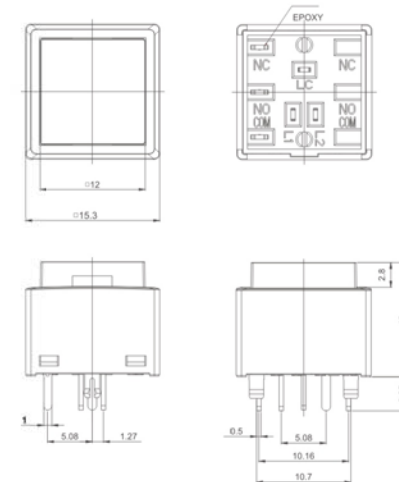
PLB-N1PRGB-RA1TW-P2KN :.



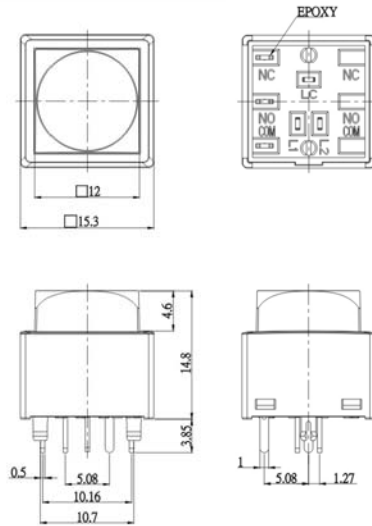
PLB-N1PNY-RA2TW :.



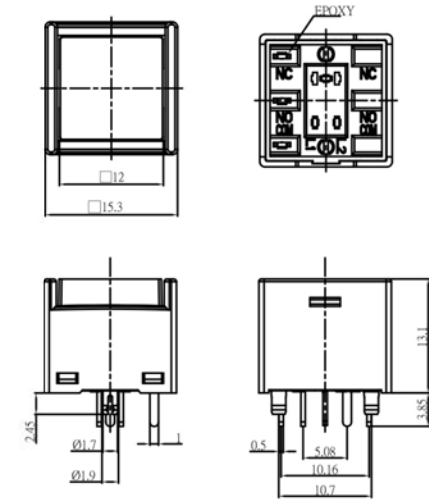
PLB-N1PNB-BTW :.



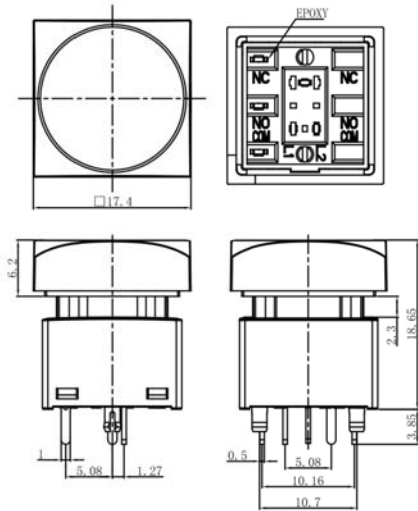
PLB-N1PWB-B1TW ::



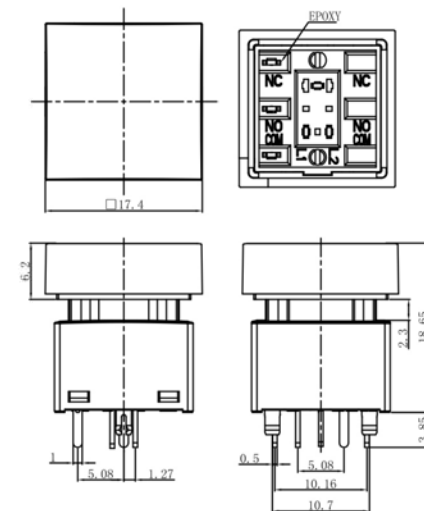
PLB-N1PRG-B2TW ::



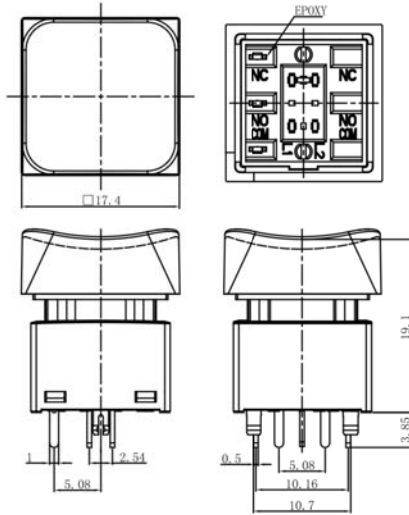
PLB-N1PNB-CTW ::



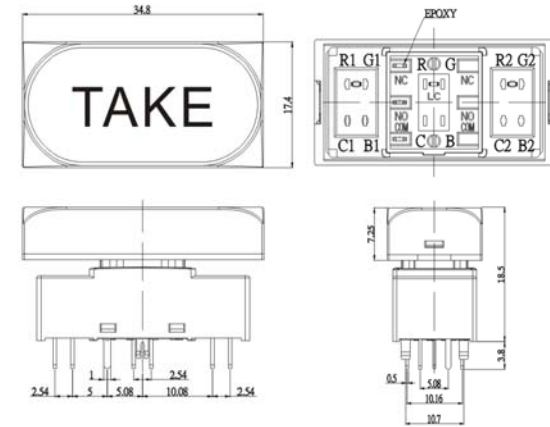
PLB-N1PWB-C1TW ::



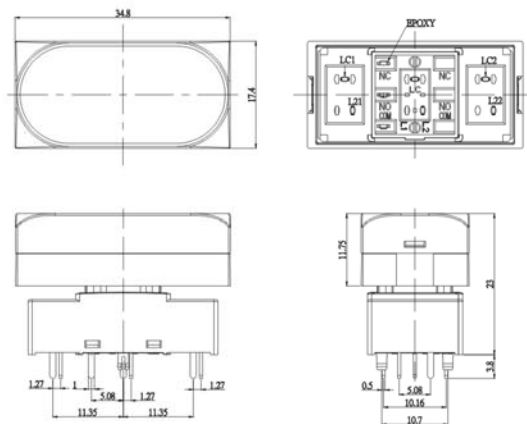
PLB-N1PRGB-C2TW ::



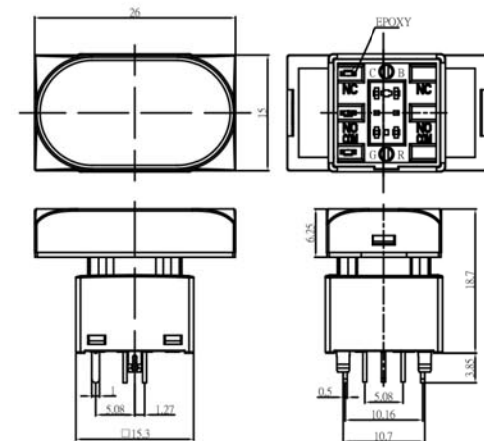
PLB-N1PNB-DTW ::



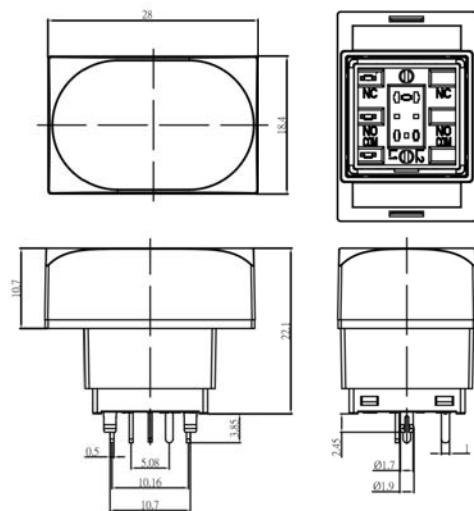
PLB-N1PNG-D1TW ::



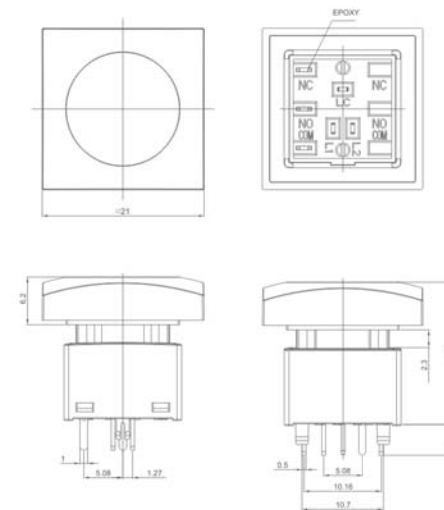
PLB-N1PRGB-D2TW ::



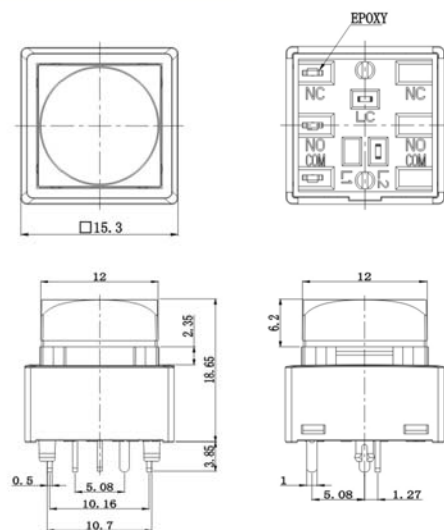
PLB-N1PNY-D3TW::



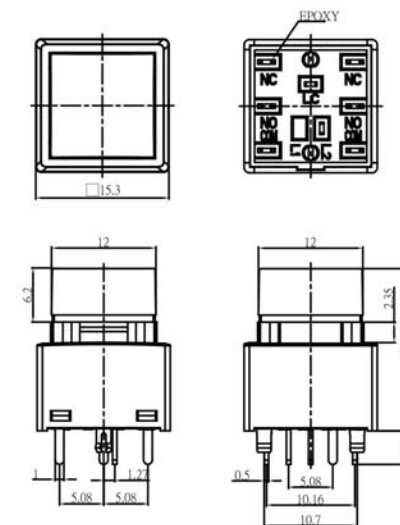
PLB-N1PNG-ETW::



PLB-N1PNR-FTW::



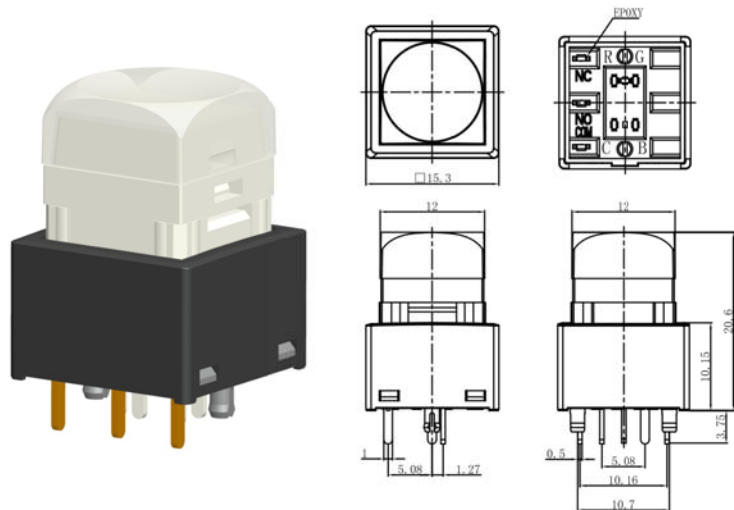
PLB-N2PNG-F1TW::



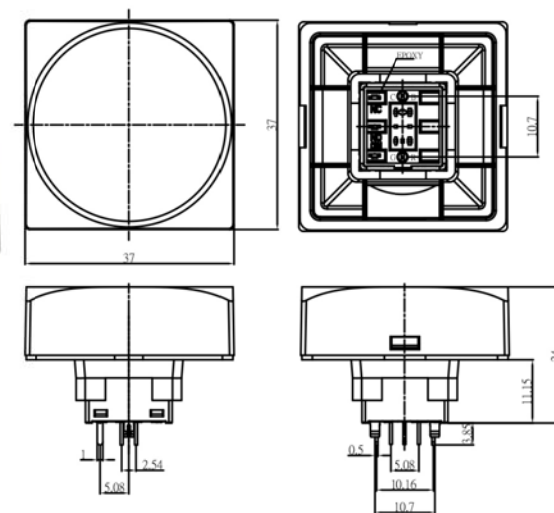
PLB

LED ILLUMINATED PUSH BUTTON SWITCH

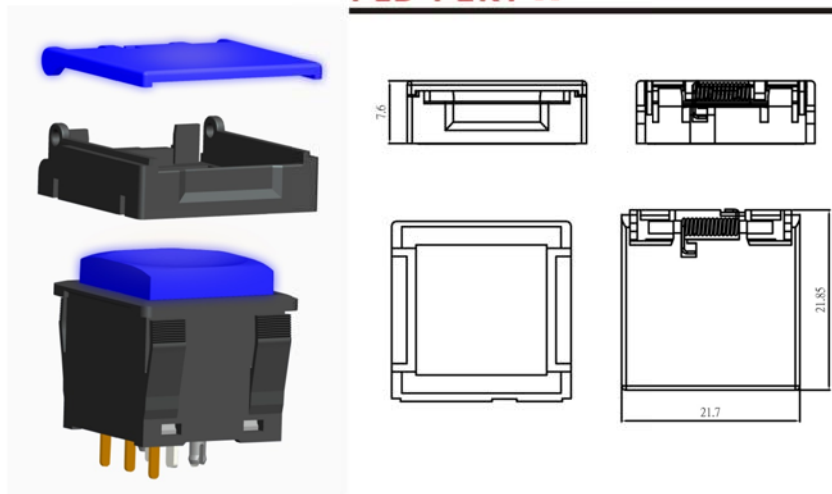
PLB-N1PRGB-F2TW ::



PLB-N1PRGB-GTW ::



PLB-P1KT ::



PLB-PKT ::

